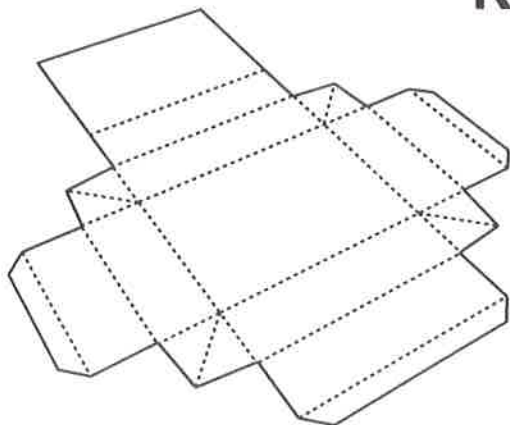


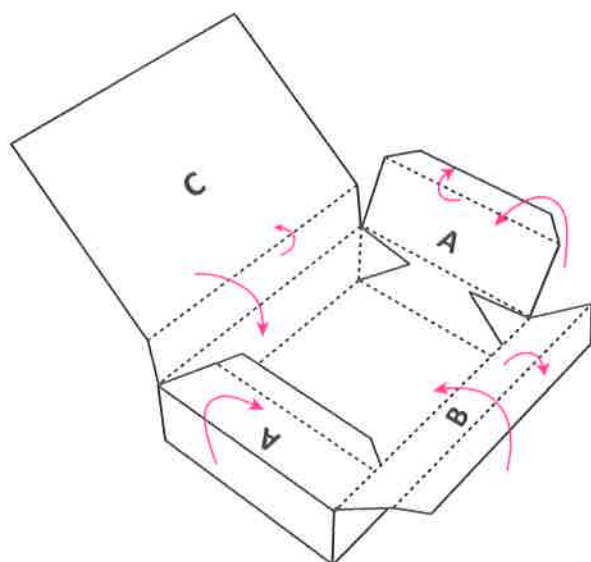
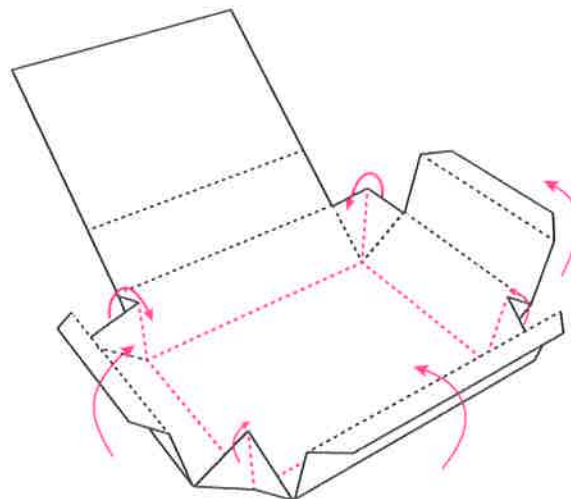
# ASSEMBLY INSTRUCTIONS

## Keepsake Box



*Step 1. To make assembly easier pre-fold each crease well.*

*Step 2. Fold up the four side panels, the corners are to be folded inside as the picture shows.*



*Step 3. Fold the side flaps in and over the corners, leaving the largest side (C) till last.*

*Step 4. Repeat these processes on the lid, place the lid on base.*

